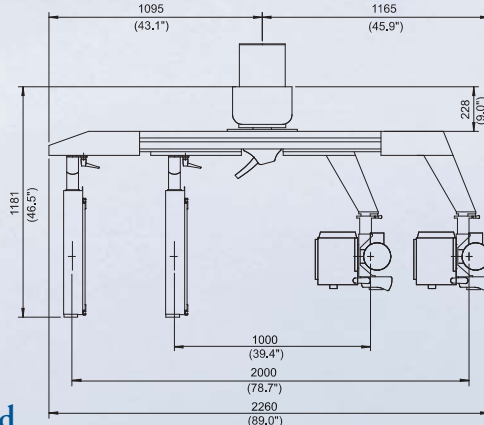
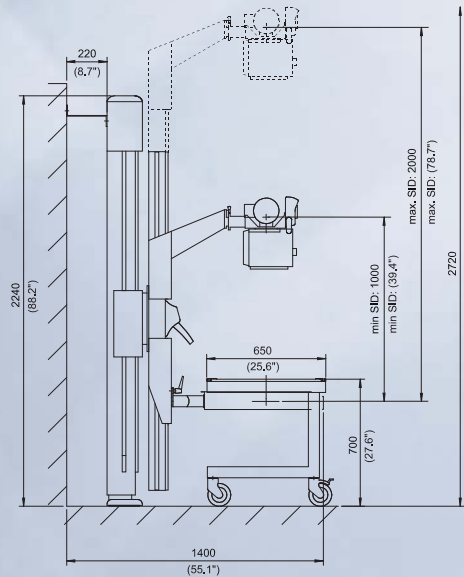


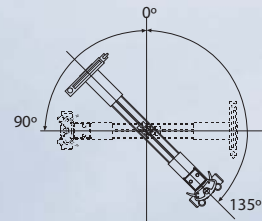
Advantage Plus

by **TXR**

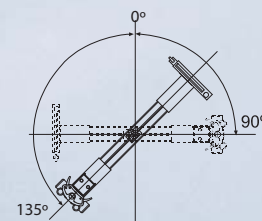
DIMENSIONS & SPECIFICATIONS URS-TS



Range of Motion, Motorized



Bucky Left
(Standard)



Bucky Right
(Optional)

Mobile Table Options All Models:



Laminated
Table Top



Carbon Fiber
Table Top

- Table Top Material:** Laminated or Carbon Fibre
- Patient Weight:** 441 lbs. (200 kg), both models
- Dimensions:** 78.7" x 25.6" x 17.6" (2.000 mm x 650 mm x 700mm)

- Specifications**
- Image Receptor:** DR panel, or Bucky with 103 line, 10:1 grid and cassette tray for CR or film
- Maximum Imaging Size:** 17" x 17" or 14" x 17" for DR, 17" x 17" for CCD and 14" x 17" for CR or film
- Motorized Movement:** SID and vertical
- Vertical Travel:** 45.3" (1,150 mm)
- Rotation Angle:** 150° (90° +/-30°)
- Collimator:** Manual with laser light and measuring tape
- Generator:** Choice of 5 line powered from 32 to 80 kW or 3 battery powered from 32 to 50 kW
- Power Requirements:** 208, 230, 240 VAC (single phase)
Power consumption: 2.5 kVA (Structure Only)
- Options:** Mobile table (laminated top or carbon fibre), Automatic collimator, Various grids



TXR 5481 Skyland Blvd., E • Cottondale, AL 35453

Phone: 205-556-3803 • Fax: 205-556-3824 • 800-897-9729 • www.txr.com • sales@www.txr.com

COMPLIES WITH FDA AND PRODUCT SAFETY REQUIREMENTS. • SPECIFICATIONS SUBJECT TO CHANGE WITHOUT NOTICE

0809URS-T

Advantage Plus

by **TXR**

URS System Family



URS-T LP Plus

URS-T LP



URS-T LP
with CCD Digital Detector



URS-TS

- *High Quality*
- *Hospital, Clinic or Private Practice*
- *World Wide Acceptance*
- *DR, CCD, CR or Film Solutions*

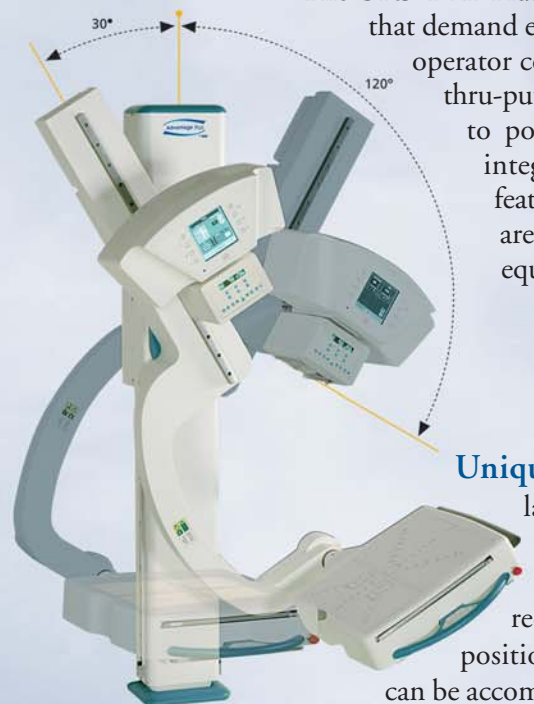
URS-T FAMILY OF UNIVERSAL RADIOGRAPHIC SYSTEMS

The family of URS-T, Universal Radiographic Systems, offers a choice of four configurations that will accurately meet the needs and financial concerns of various imaging facilities. The URS-T systems are accepted world-wide with thousands of units being used in hospitals, imaging centers, clinics, orthopedic and private practices.

Pair any one of our URS-T structures with one of our 32 to 80 kW high frequency generators to produce high quality DR, CCD, CR or film images.

URS-T LP Plus – FULLY MOTORIZED

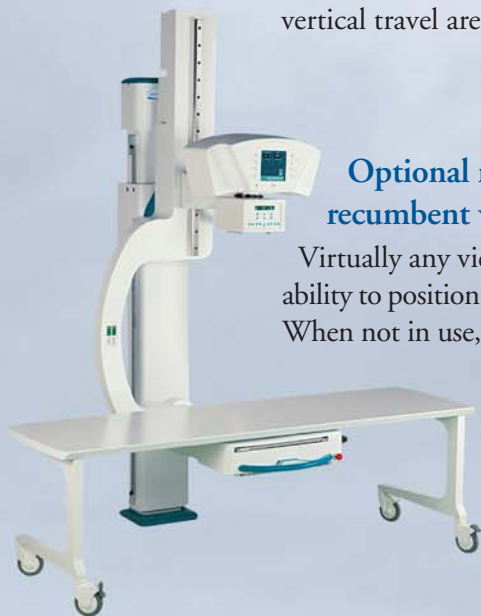
The URS-T LP Plus is one of the most popular configurations for busy imaging facilities that demand ease of use to facilitate patient positioning for critical situations, operator convenience and increased patient thru-put. The multiple elective methods to position the structure and the integration of the generator are features that many operators feel are superior over any other equipment used in their careers.



Unique C-arm design allows lateral table positioning while delivering precise alignment between the tube and image receptor in straight or angled positions. All radiographic studies can be accomplished with a variable SID of 40" to 72" (100 to 180 cm). Arm rotation, SID and vertical travel are motor driven.

Optional mobile table allows for recumbent views, including cross table.

Virtually any view can easily be accomplished with the ability to position the cross arm and table in any position. When not in use, the table can be stored off to the side.



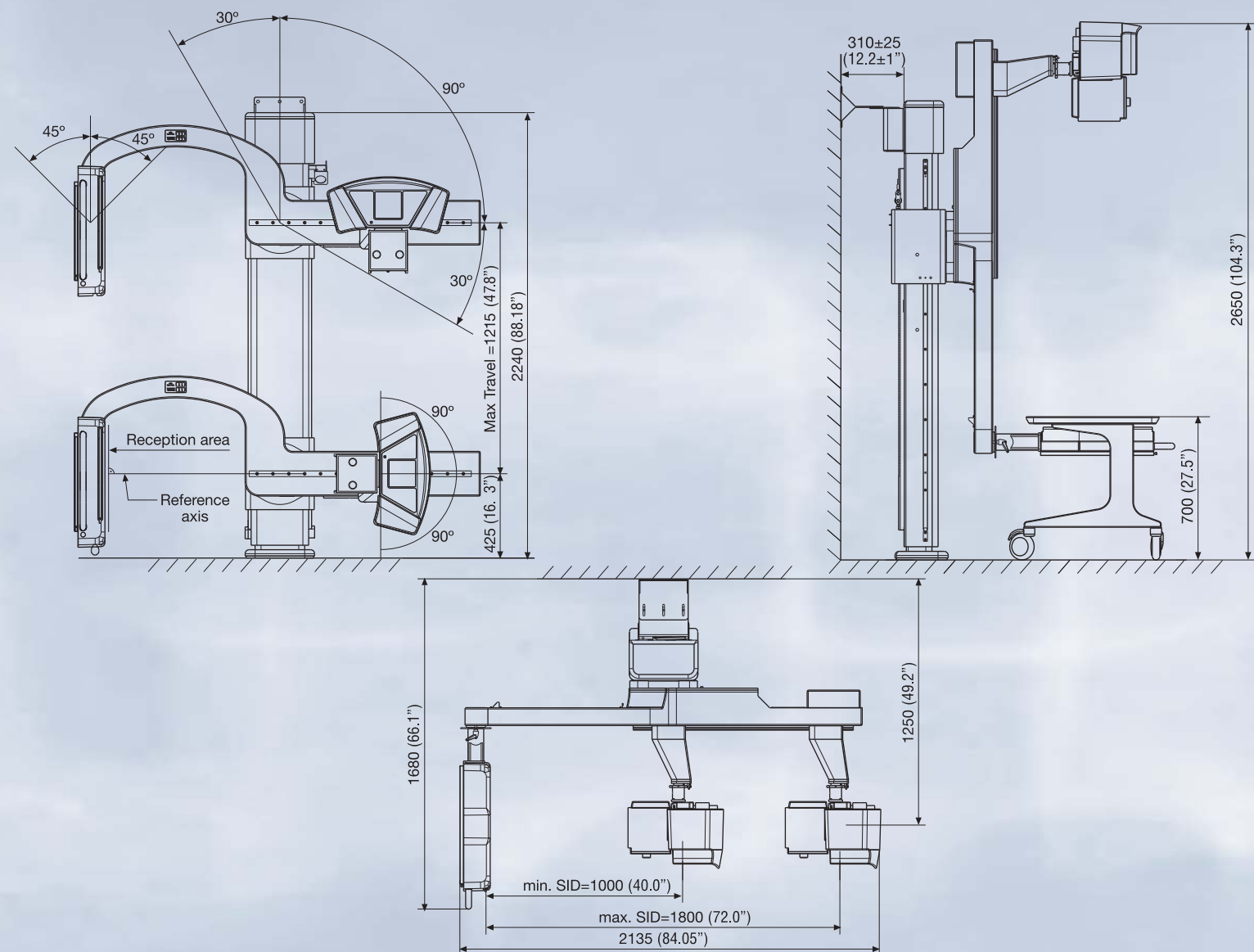
Motorized rotation of image receptor



Location of Touch pad controls allow simultaneous positioning of patient and equipment.

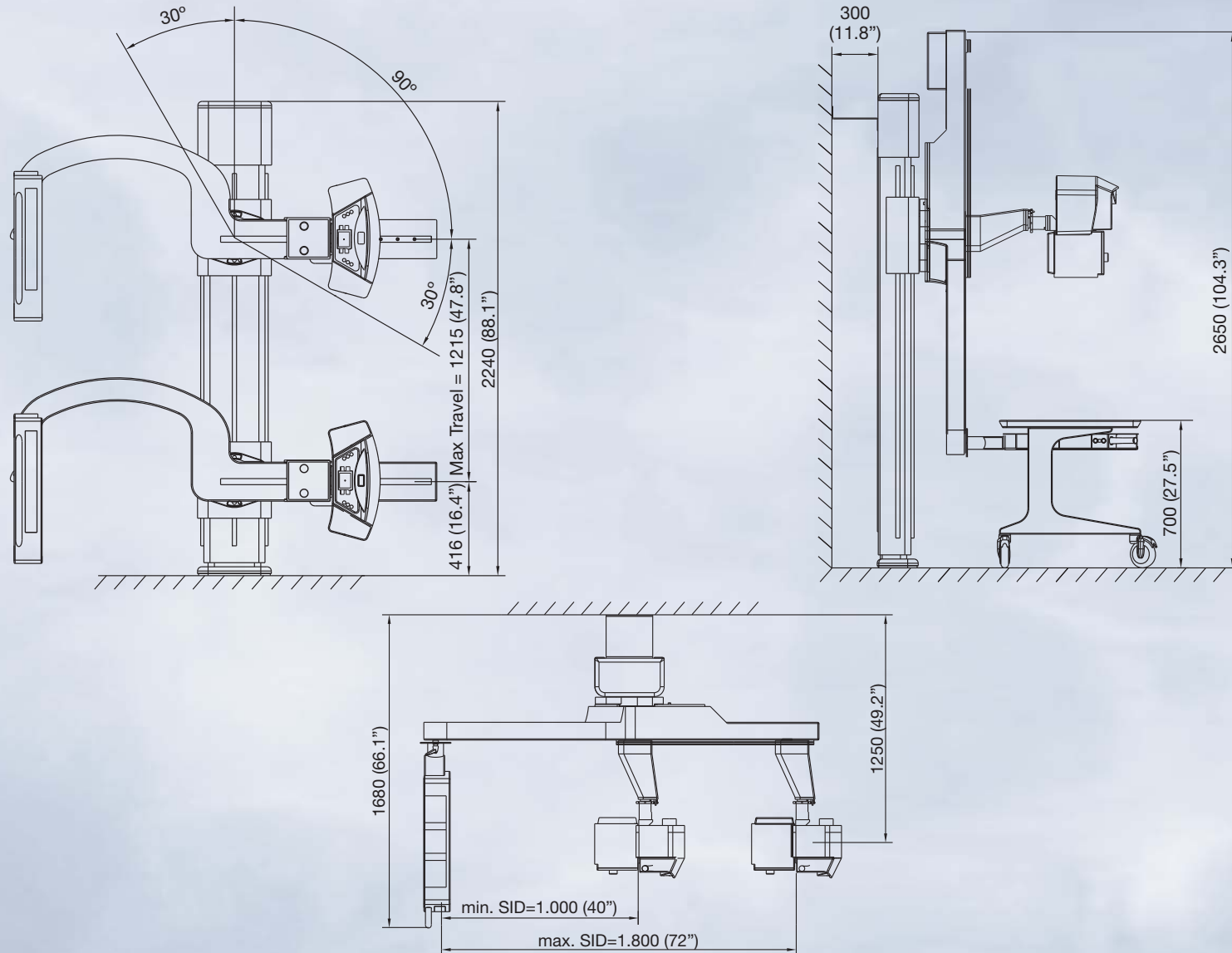


DIMENSIONS & SPECIFICATIONS URS-T LP PLUS



- Specifications Image Receptor:** DR panel, CCD, or Bucky with 103 line, 10:1 grid and cassette tray for CR or film
- Maximum Imaging Size:** 17" x 17" or 14" x 17" for DR, 17" x 17" for CCD and 14" x 17" for CR or film
- Motorized Movement:** Dual speed for SID, vertical travel, arm rotation and receptor
- Vertical Travel:** 47.8" (1,215 mm)
- Rotation Angle:** 150° (90° +/-30°)
- Collimator:** Manual with laser light and measuring tape
- Generator:** Choice of 5 line powered from 32 to 80 kW or 3 battery powered from 32 to 50 kW
- Power Requirements:** 208, 230, 240 VAC (single phase) Power consumption: 2.5 kVA (Structure Only)
- Options:** Remote control, Mobile table (laminated top or carbon fibre), Automatic collimator, Various grids

DIMENSIONS & SPECIFICATIONS URS-T LP



- Specifications Image Receptor:** DR panel, CCD, or Bucky with 103 line, 10:1 grid and cassette tray for CR or film
- Maximum Imaging Size:** 17" x 17" or 14" x 17" for DR, 17" x 17" for CCD and 14" x 17" for CR or film
- Motorized Movement:** Dual speed for SID, vertical travel, arm rotation and receptor
- Vertical Travel:** 47.8" (1,215 mm)
- Rotation Angle:** 150° (90° +/-30°)
- Collimator:** Manual with laser light and measuring tape
- Generator:** Choice of 5 line powered from 32 to 80 kW or 3 battery powered from 32 to 50 kW
- Power Requirements:** 208, 230, 240 VAC (single phase) Power consumption: 2.5 kVA (Structure Only)
- Options:** Mobile table (laminated top or carbon fibre), Automatic collimator, Various grids

FEATURES OF URS-T LP PLUS

- 1 Standard touch screen control console allows APR or manual technique selection in operator control booth prior to positioning of patient. On selection of APR, or manual techniques, the integrated generator at URS structure will display selected APR techniques.
- 2 Standard integrated generator display allows; (1) view selection (2) automatic positioning of structure for selected view or (3) independent positioning of structure via use of touch pad independent drives (dual speed selection) (4) fine tune previously selected technique factors and (5) review patient positioning for selected view. As a safety measure, once the view is selected for automatic positioning, the system will require the operator to confirm the automatic movement of the structure by holding the button (dead man switch) until the desired position is reached. When supplied with a DR panel, the patient can be selected from the work list which will indicate desired view and ready the structure to the required position.
- 3 Optional remote infrared control to position URS structure to desired position.
- 4 Standard touch pad control at receptor.



TRIPLE ANTI COLLISION PROTECTION

Patient and operator safety is of utmost importance. A dual speed motor is a standard feature on the URS-T LP Plus to accommodate a comfortable speed for the operator to work at. To ensure patient and equipment safety, triple collision protection is a standard (1) two laser beams (2) pressure sensor and (3) bumper detector.



URS System Family

URS-T LP – FULLY MOTORIZED

The URS-T LP contains many of the features incorporated in the URS-T LP Plus with the exception of integration of the generator at the structure, auto positioning and touch screen generator console. The system's intuitive controls, dual speed motorized movements and the triple anti collision protection assures the same patient and operator safety features supplied on the URS-T LP Plus model.



Variable SID from 40" to 72" (100 to 180 cm) can be controlled from the touch pad located at the receptor or the controls provided at the handle bar assembly. The convenient stop at 40" and 72" SID reduces setup time and increases patient thru-put.



Digital display of arm angulation is conveniently located at the handle bar assembly.



Optional mobile table enables recumbent views, including cross table exams. The table can easily be stored off to the side when not in use.



URS System Family

URS-TS MOTORIZED SID & VERTICAL

The URS-TS is a cost effective system that accommodates conventional views of all body parts. Cross table exams can not be accomplished due to the straight arm design. The URS-TS is the most compact version of the family of Universal Radiographic Systems. This model is ideally suited for the imaging facility that routinely does chest, spine and extremity views. The standard motorized operation of SID and vertical position eases equipment positioning. Angulation of the receptor is accomplished manually. Routine recumbent views are accomplished with the optional mobile table.



Extensive vertical travel of 78.7" will accommodate imaging of the skull down to the feet.

Arm angulation is clearly displayed at the handle bar assembly.



Optional mobile table enables recumbent views. The table can easily be stored off to the side when not in use.

